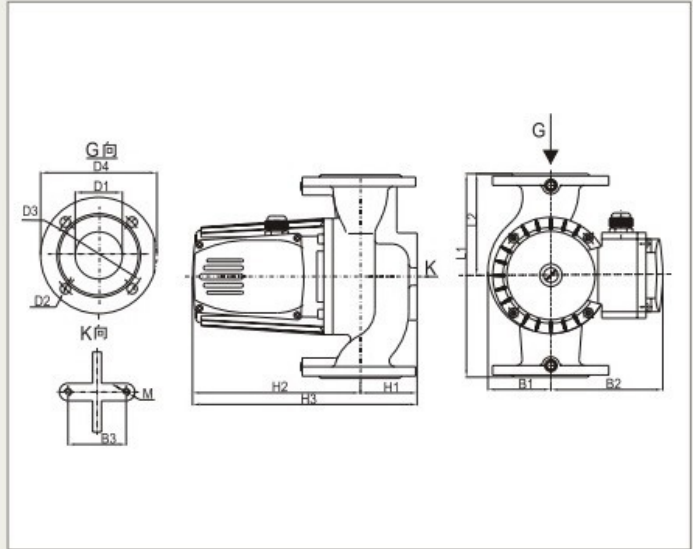
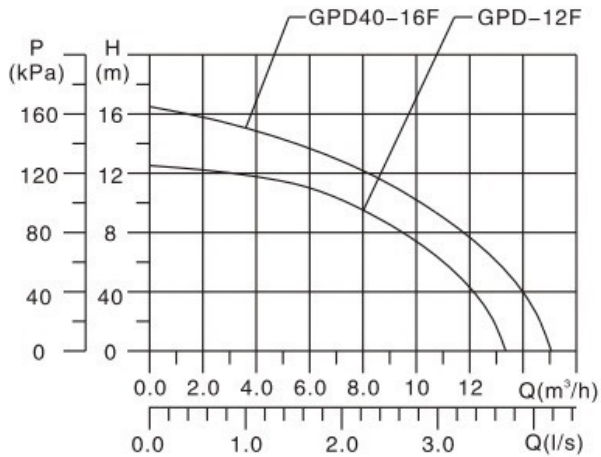


Hot Water Circulating Pumps

TECHNICAL SPECIFICATIONS

GPD40-12F/16F



Model	Rated flow (m³/h)	Rated head (m)	Rated Current (A)	Speed (r/min)	Power(W)		Voltage(V)		Material		
					Input/Output		115	230	Cast Iron	Copper	Stainless steel
GPD40-12F	8	8	3.4	2800	700/400			●	●		
GPD40-16F	8	12.5	4.9	2800	1000/600			●	●		

Model	Dimension												
	H1	H2	H3	L1	L2	B1	B2	B3	D1	D2	D3	D4	M
GPD40-12F	65	232	297	250	115	80	154	80	40	13.5	100	130	M10
GPD40-16F	65	232	297	250	115	80	154	80	40	13.5	100	130	M10

Model	Weight(Kg)		Volume (m³)	Connection/Flange	Package size(mm x mm x mm)
	N.W.	G.W.			
GPD40-12F	15.3	18.4	0.026	DN40	260 x 260 x 330
GPD40-16F	16.9	20	0.026	DN40	260 x 260 x 330

1300 552 976