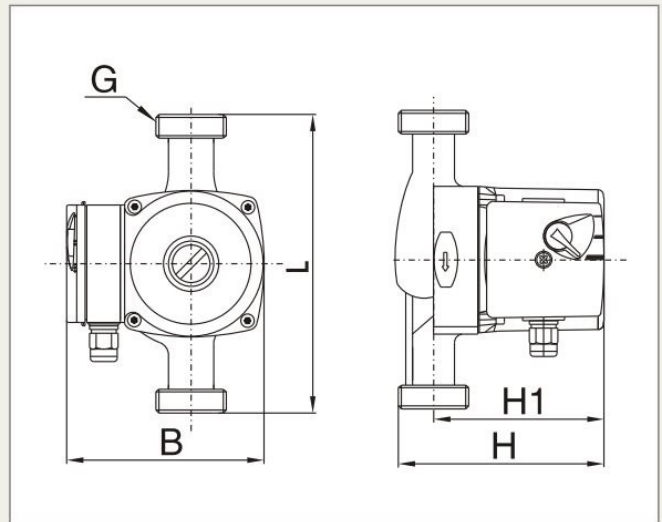
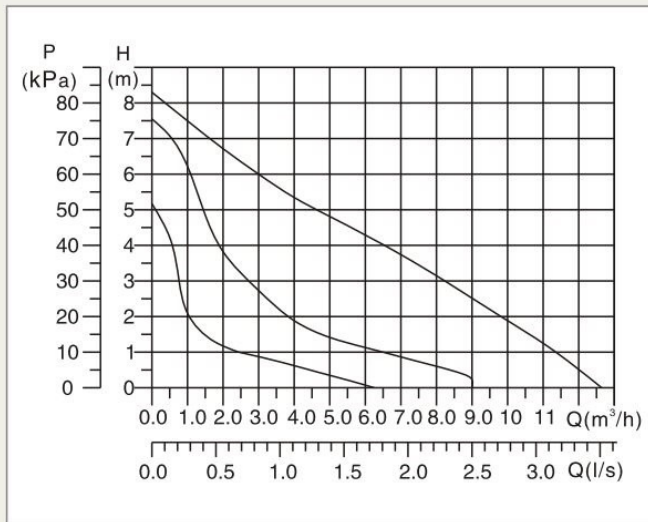


Hot Water Circulating Pumps

TECHNICAL SPECIFICATIONS

**GPD25-8S
GPD32-8S**



Model	Max. Flow (m³/h)	Rated Power (W)	Rated Current (A)	Power(W)	Voltage(V)		Material			
				Input/Output	115	230	Cast Iron	Plastic	Copper	Stainless steel
GPD25-8S	6	245/190/135	1.1/0.85/0.60	245/90	●	●	●		●	
GPD32-8S	8				●	●	●			●

Model	Dimension					Weight(Kg)		Volume (m³)	Connection/Flange	Package size(mm x mm x mm)	
	L	H	H1	B	G	N.W.	G.W.			Inner box	Outer box
GPD25-8S	180	160	130	150	11/2"	4.8	5.5	0.0063	11/2"-1"	200 x 165 x 190	410 x 340 x 195
GPD32-8S	180	160	130	150	2"	4.6	5.6	0.0063	2"-11/4"or11/2"	200 x 165 x 190	410 x 340 x 195



1300 552 976

website: www.skylineenergy.com.au

email: info@skylineenergy.com.au