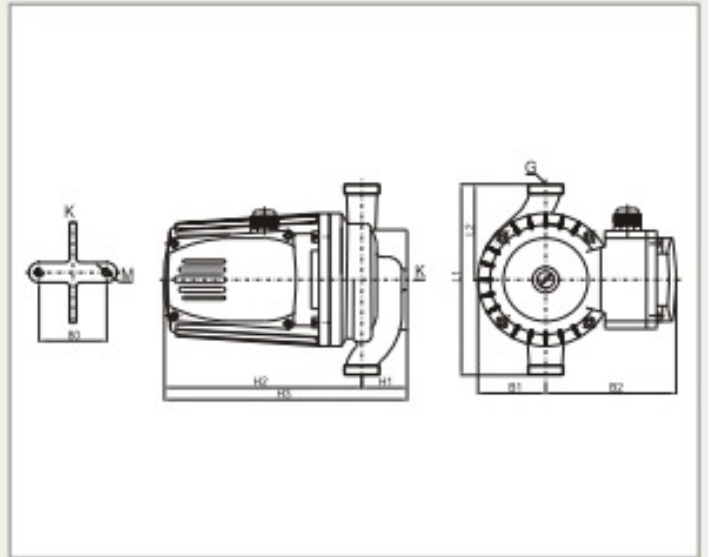
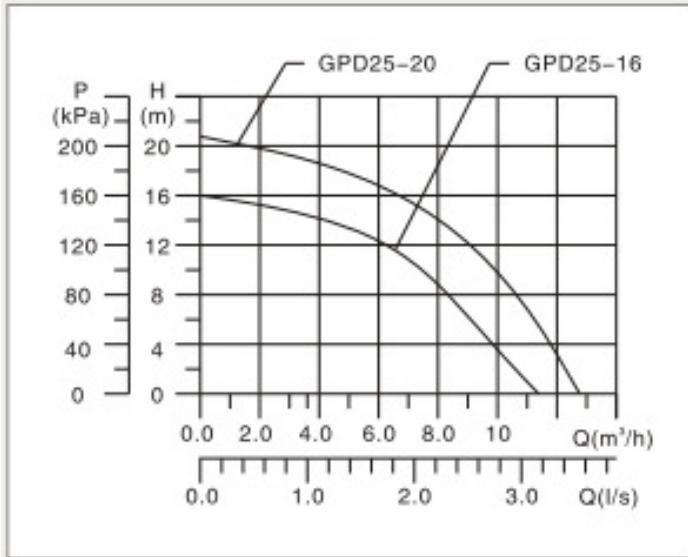


## Hot Water Circulating Pumps

### TECHNICAL SPECIFICATIONS

**GPD25-16  
GPD32-20**



Model	Rated flow (m³/h)	Rated head (m)	Rated Current (A)	Speed (r/min)	Power(W)		Voltage(V)		Material		
					Input/Output		115	230	Cast Iron	Copper	Stainless steel
GPD25-16	5	12.5	3.4	2800	700/400		●	●			
GPD25-20	5	16	4.9	2800	1000/600		●	●			

Model	Dimension									Weight(Kg)		Volume (m³)
	H1	H2	H3	L1	L2	B1	B2	B3	M	N.W.	G.W.	
GPD25-16	54	232	286	230	115	80	154	80	M8	12.5	13.6	0.026
GPD25-20	54	232	286	230	115	80	154	80	M8	13.4	14.7	0.026

Model	Connection/Flange	Package size(mm x mm x mm)
GPD25-16	1 1/2"-1" or 1 1/4"-3/4"	260 x 260 x 330
GPD25-20	1 1/2"-1" or 1 1/4"-3/4"	260 x 260 x 330

**1300 552 976**