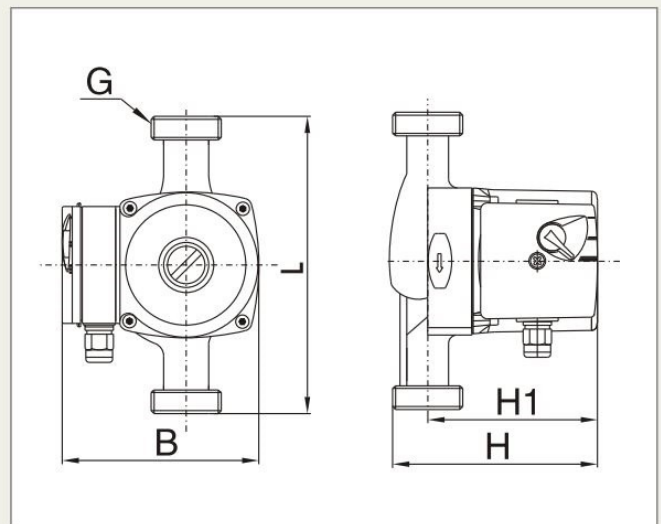
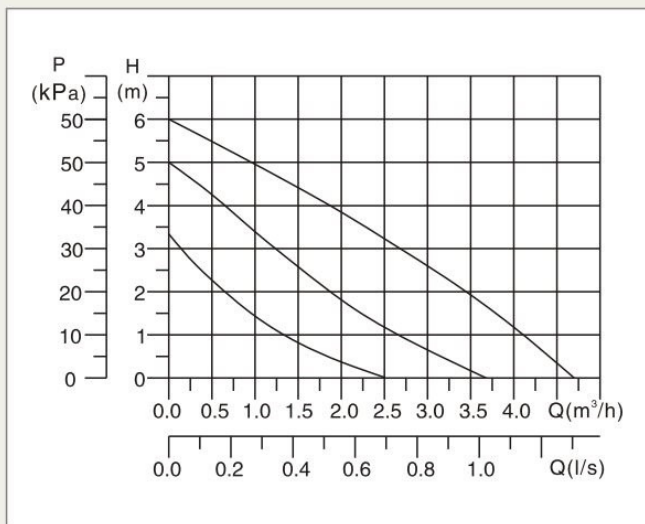


## Hot Water Circulating Pumps

### TECHNICAL SPECIFICATIONS

**GPD20-6S**  
**GPD25-6S**  
**GPD32-6S**



Model	Max. Flow (m³/h)	Rated Power (W)	Rated Current (A)	Power (W)		Material				
				Input/Output	115	230	Cast Iron	Plastic	Copper	Stainless steel
GPD20-6S	2.5	100/70/55	0.45/0.35/0.25	100/30	●	●	●	●	●	●
GPD25-6S	3				●	●	●	●	●	●
GPD32-6S	3.5				●	●	●	●	●	●

Model	Dimension					Weight (Kg)		Volume (m³)	Connection/Flange	Package size (mm x mm x mm)	
	L	H	H1	B	G	N.W.	G.W.			Inner box	Outer box
GPD20-6S	130	130	105	130	1"	2.3	2.6	0.0035	1"-3/4"	170 x 140 x 145	350 x 290 x 300
GPD25-6S	130/180	130	105	130	1 1/2"	2.6	3.2	0.0041	1 1/2"-1"	170 x 140 x 145 200 x 140 x 145	350 x 290 x 300 410 x 290 x 300
GPD32-6S	180	130	105	130	2"	2.9	3.8	0.0041	2"-1 1/4"	200 x 140 x 145	410 x 290 x 300



**1300 552 976**

website: [www.skylineenergy.com.au](http://www.skylineenergy.com.au)

email: [info@skylineenergy.com.au](mailto:info@skylineenergy.com.au)