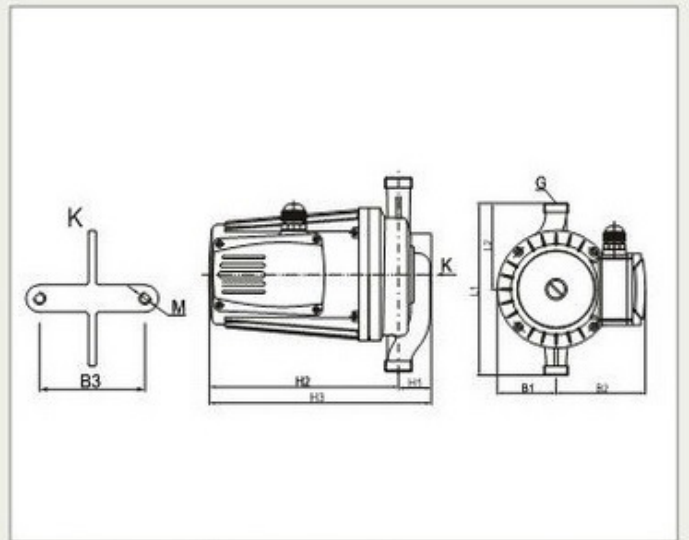
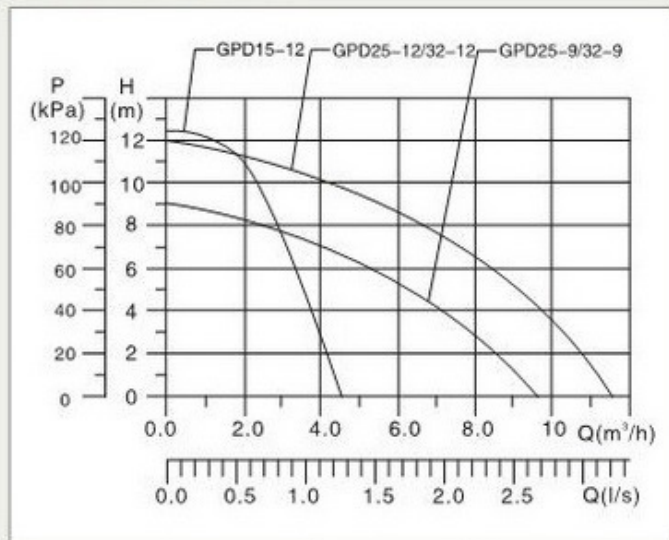


Hot Water Circulating Pumps

TECHNICAL SPECIFICATIONS

**GPD15-12
GPD25/32-9
GPD25/32-12**



Model	Rated flow (m³/h)	Rated head (m)	Rated Current (A)	Speed (rpm)	Power (W)		Voltage (V)		Material		
					Input/Output		115	230	Cast Iron	Copper	Stainless
GPD25-9	5	5	1.5	2750	300/150	●	●	●			
GPD32-9	5	5	1.5	2750		●	●	●			
GPD15-12	1.25	10	1.5	2750		●	●	●			
GPD25-12	5	8	2.5	2800	500/280		●	●			
GPD32-12	5	8	2.5	2800			●	●			

Model	Dimension									Weight (kg)		Volume (m³)
	H1	H2	H3	L1	L2	B1	B2	B3	M	N.W.	G.W.	
GPD25-9	44	165	209	220	110	68	99	70	M8	6.4	6.8	0.012
GPD32-9	49	165	214	220	110	68	99	70	M8	7	8.1	0.012
GPD15-12	32	165	197	190	95	65	99	70	M8	6	6.6	0.012
GPD25-12	44	185	229	220	110	68	99	70	M8	7.7	8.5	0.013
GPD32-12	49	185	234	220	110	68	99	70	M8	8.4	9.5	0.013

Model	Connection/Flange	Package Size (mm x mm x mm)	
GPD25-9	1 1/4"-3/4"	255 x 200 x 235	520 x 410 x 240
GPD32-9	2"-1 1/4" or 1 1/2"	255 x 200 x 235	520 x 410 x 240
GPD15-12	3/4"-1/2"	255 x 200 x 235	520 x 410 x 240
GPD25-12	1 1/4"-3/4"	255 x 200 x 255	520 x 410 x 260
GPD32-12	2"-1 1/4" or 1 1/2"	255 x 200 x 255	520 x 410 x 260

1300 552 976

website: www.skylineenergy.com.au

email: info@skylineenergy.com.au